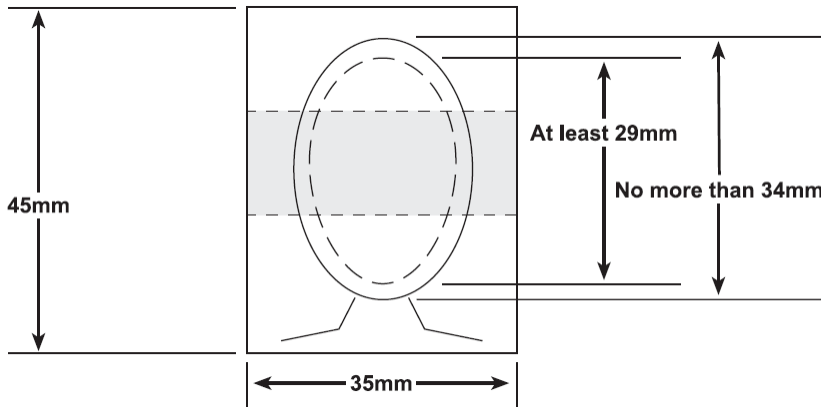




All passport applications must include two identical recent photographs. The photographs you send us must meet internationally agreed standards and must be a true likeness of you. The guidance in this leaflet will help you send us acceptable photographs, and will help avoid the need for us to ask for more photographs.

## The photographs must be:

- identical;
- recent (taken within the last month);
- 45 millimetres (mm) high x 35 millimetres (mm) wide (however, please do not trim your photographs to meet this condition);
- taken against an off-white, cream or light grey plain background so that your features are clearly distinguishable against the background;
- printed on low-gloss, plain-white photo-quality paper (with no watermarks, embossing or printing on the back);
- free from copyright (for example, do not send school photographs as these are produced under copyright);
- undamaged, for example, by creases from paperclips;
- of you on your own (no babies' dummies, toys or other people visible);



- a close-up of your head and shoulders so that your head, from the bottom of your chin to your crown (that is, the top of your head without hair), is between 29mm and 34mm high, and your eyes are in the area marked by the shaded band above; and
- clear of writing on the front and back. If your application needs to be countersigned (see note 10 of "How to fill in your passport application form"), please ask your countersignatory to certify the back of **one** (not both) of the photographs with the handwritten words, "I certify that this is a true likeness of (give your full name and title)", and to sign and date the endorsement. The other photograph **must be blank** on the back.



Good



Good



Good



Good



Too close



Too far



Shows another person



Busy background

## The photographs must:

- be in sharp focus and clear;
- have a strong definition between the face and background; and
- be printed professionally. Photographs printed at home are not likely to be of an acceptable quality.

## The photographs must show:

- no shadows;
- you facing forwards, looking straight towards the camera;
- a neutral expression, with your mouth closed (no obvious grinning, frowning or raised eyebrows);
- your eyes open and clearly visible (with no sunglasses or heavily tinted glasses, and no hair across your eyes);
- no reflection or glare on your glasses, and the frames should not cover your eyes (you may find it easier to remove your glasses);
- your full head, without any head covering, unless it is worn for religious beliefs or medical reasons; and
- nothing covering your face. Please make sure nothing covers the outline of your eyes, nose or mouth.

## Children

Photographs of children five years and under must show a clear image that is a true likeness of the child. Because young children can be difficult to photograph, children aged five and under do not need to have a neutral expression. We will also accept glare on glasses or pictures with their head at an angle. Also, children aged five and under do not need to look directly at the camera.

Babies under one year do not need to have their eyes open. All other standards must be met. If the baby's head needs to be supported, it is important that your supporting hand cannot be seen. To support the baby's head, you should hold your hand behind the baby's head so that it cannot be seen in the photograph.

If you have real difficulty in meeting these conditions, you should visit a photographic studio rather than a photo booth.

Photographs for all children aged six and over must meet the full standards set out above, with the following exception. That is, photographs of children under 11 may show a head size between 21mm and 34mm high, instead of the adult requirement of 29mm to 34mm high.



Blurred or too light



Shadows across face



Looking away



Portrait style



Mouth open



Hair across eyes



Frames covering eyes



Dark tinted glasses



Wearing a hat



Face covered